



## SERIES MS2 | MAGNESENSE® II DIFFERENTIAL PRESSURE TRANSMITTER



### FEATURES/BENEFITS

- Field selectable ranges and output signal reduce inventory and the chances of ordering an incorrect part
- BACnet or Modbus serial communications reduce wiring cost by daisy-chaining the transmitters
- Our integral field-upgradeable display or plug-in remote display tool save upfront material cost and allow for local viewing of measurements

### APPLICATIONS

- Filter monitoring in air handler units
- Building pressure in pharmaceutical-semiconductor clean rooms
- Duct static pressure in commercial buildings
- Air velocity/flow in VAV systems

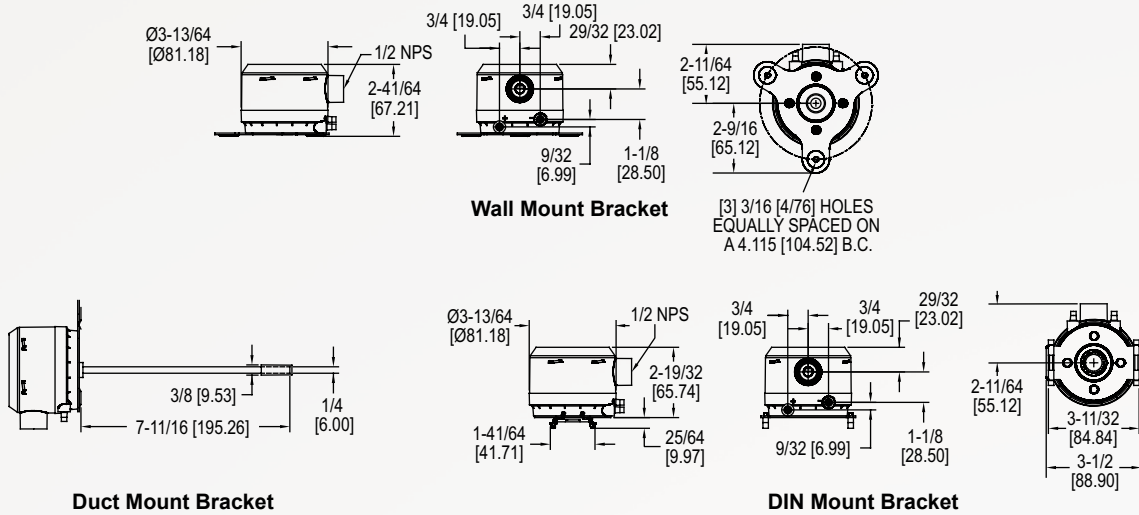
### DESCRIPTION

The **Series MS2 Magnesense® II Differential Pressure Transmitter** combines stable piezo sensing technology with additional features to reduce installation time and simplify ordering. Like the original Series MS, the second generation transmitter can be used as a linear pressure output or a linear velocity output with the square root extraction done in the transmitter. Additional parameters have been included on the MS2 to expand the square root capability to include flow measurements.

### SPECIFICATIONS

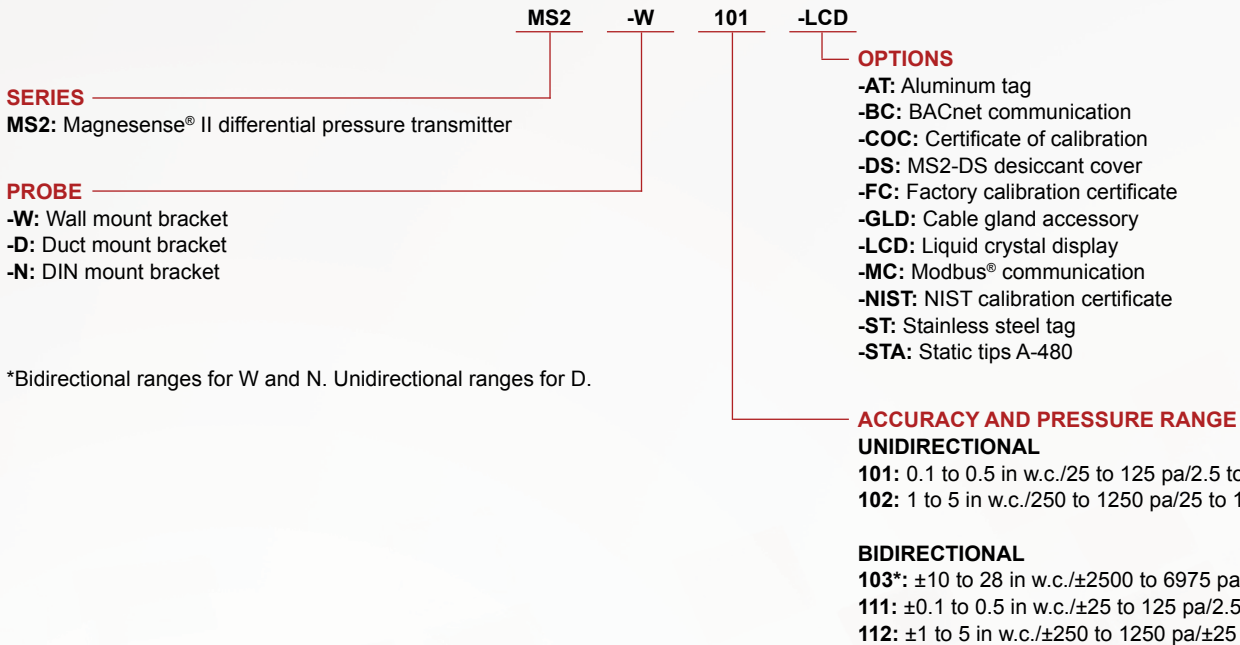
<b>Supported Baud Rates</b>	9600, 19200, 38400, 57600, 76800, 115200.
<b>Data Size</b>	8.
<b>Parity</b>	None.
<b>Stop Bits</b>	1.
<b>Service</b>	Air and non-combustible, compatible gases.
<b>Wetted Materials</b>	Consult factory.
<b>Typical Accuracy</b>	±1% FS for 0.15 in w.c. (40 Pa), 0.25 in w.c. (50 Pa), 0.5 in w.c. (100 Pa), 2 in w.c. (500 Pa), 3 in w.c. (750 Pa), 5 in w.c. (1250 Pa), 10 in w.c. (2 kPa), 15 in w.c. (3 kPa), 25 in w.c. (5 kPa), 28 in w.c. (6.975 kPa); ±2% FS for 0.1 in w.c. (25 Pa), 1 in w.c. (250 Pa), and all bi-directional ranges.
<b>Stability</b>	±1% / year FSO.
<b>Temperature Limits</b>	0 to 150°F (-18 to 66°C).
<b>Pressure Limits</b>	1 psi max., operation; 10 psi burst.
<b>Power Requirements</b>	10-35 VDC (2-wire), 17-36 VDC or isolated 21.6-33 VAC (3-wire).
<b>Output Signals</b>	4-20 mA (2-wire), 0-5 VDC, 0-10 VDC (3-wire).
<b>Response Time</b>	Averaging 0 to 240 s, 2.5 Hz sample rate, 1.5 to 228 s for 95% step change.
<b>Zero &amp; Span Adjustments</b>	Digital push buttons.
<b>Loop Resistance</b>	Current output: 0 to 1250 Ω max; Voltage output: Min. load resistance 1 kΩ.
<b>Current Consumption</b>	40 mA max.
<b>Display (Optional)</b>	5 digit LCD.
<b>Electrical Connections</b>	3-wire removable European style terminal block for 16 to 22 AWG.
<b>Electrical Entry</b>	1/2" NPS thread; Accessory (A-151): Cable gland for 5 to 10 mm diameter cable.
<b>Process Connection</b>	3/16" ID tubing (5 mm ID); Max. OD 9 mm.
<b>Enclosure Rating</b>	NEMA 4X (IP66).
<b>Mounting Orientation</b>	Any orientation.
<b>Weight</b>	8.0 oz (230 g).
<b>Agency Approvals</b>	BTL, CE.

## DIMENSIONS



## HOW TO ORDER

Use the **bold** characters from the chart below to construct a product code.



\*Bidirectional ranges for W and N. Unidirectional ranges for D.

## ACCESSORIES

Model	Description
<b>A-151</b>	Cable gland for 5 to 10 mm diameter cable
<b>A-MS2-LCD</b>	Field upgradeable display
<b>A-435-A</b>	Remote display tool
<b>A-480</b>	Plastic static pressure tip
<b>A-481</b>	Installer kit; includes 2 plastic static pressure tips and 7 ft (2.1 m) of PVC tubing
<b>A-489</b>	4" 303 SS straight static pressure tip with flange
<b>A-302F-A</b>	4" 303 SS static pressure tip with mounting flange; for 3/16" ID rubber or plastic tubing
<b>SCD-PS</b>	100-240 VAC/VDC to 24 VDC power supply

## ORDER ONLINE TODAY!

Product/Series**MS2**

Modbus® is a registered trademark of Schneider Automation, Inc.



**DWYER INSTRUMENTS, INC.**